

## Locators

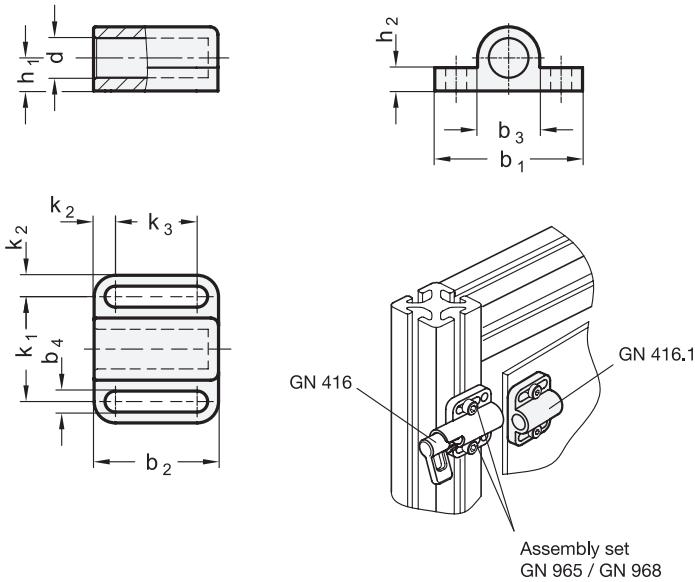
for spring latches GN 416

### SPECIFICATION

Zinc die casting  
plastic coated  
black, RAL 2005, textured finish

### INFORMATION

Locators GN 416.1 are matched to the spring latches GN 416 and are used to position the indexing pin.



### GN 416.1

Description	d Nominal dimension	d Actual dimension +0.15/-0.05	b1	b2	b3	b4	h1	h2	k1	k2	k3	⚖
GN 416.1-6-38	6	6.2	38	32	16	5.4	8.5	6	27	5.5	21	51
GN 416.1-8-38	8	8.2	38	32	16	5.4	8.5	6	27	5.5	21	47
GN 416.1-8-46	8	8.2	46	40	20	6.4	11	6	33	6.5	27	94
GN 416.1-10-38	10	10.2	38	32	16	5.4	8.5	6	27	5.5	21	20
GN 416.1-10-46	10	10.2	46	40	20	6.4	11	6	33	6.5	27	87
GN 416.1-12-46	12	12.2	46	40	20	6.4	11	6	33	6.5	27	79

